

Operating instructions

OVATION CD 6.2 OVATION CD 8.2



AVM
AUDIOPHILE MASTERPIECES

Caution

This unit contains a class 1 laser diode. Do not open. Invisible laser radiation can damage your eyes.

Laserdiode Typ: Ga-Al-As
Wavelength: 755 - 815 nm (25 °C)
Output power: max. 0,7 mW max.



Declaration of conformity (for EC only)

We herewith confirm, that the unit to which this manual belongs fulfills the EC rules necessary to obtain the sign



the necessary measurements were taken with positive results.

AVM Audio Video Manufaktur GmbH
Daimlerstraße 8
D-76316 Malsch
Germany

www.avm.audio
info@avm.audio

Dear customer

Thank you for purchasing this AVM product. You now own a versatile, excellent sounding high-end component. Before enjoying music, please read this manual carefully. After that you will know how to use your new CD 6.2 / 8.2 in the optimal way.

Please note that the range of functions of your AVM hifi component can be easily expanded by means of a software update at any time. Hence, the present operating instructions will require continued updates going forward. You you can always download the most current version from our website at www.avm.audio.

Sincerely yours,

The AVM Team

Table of contents

1	Getting started	6
1.1	What's in the box?.....	6
1.2	Control and operating elements.....	6
1.3	Installation and cooling.....	7
1.4	Connection to mains.....	7
1.5	Connection to a preamplifier or integrated amplifier.....	7
1.6	Connection of digital signal sources.....	8
1.7	RC 3 remote control.....	8
1.8	External IR remote control.....	9
2	Basic operation	9
2.1	First operation / self test.....	9
2.2	Switching on / stand by.....	9
2.3	Display.....	10
2.4	CD Player.....	11
2.5	Selecting the signal.....	13
2.6	Volume setting.....	13
2.7	Samplerate and filter setting.....	13
2.8	USB B digital input.....	14
3	Advanced Settings	15
3.1	Personal Setup.....	15
3.2	Reset (factory default settings).....	16
4	Appendix	17
4.1	Cleaning.....	17
4.2	Troubleshooting.....	17
4.3	Conditions of warranty (EC only).....	18
4.4	Technical Data.....	19

1 Getting started

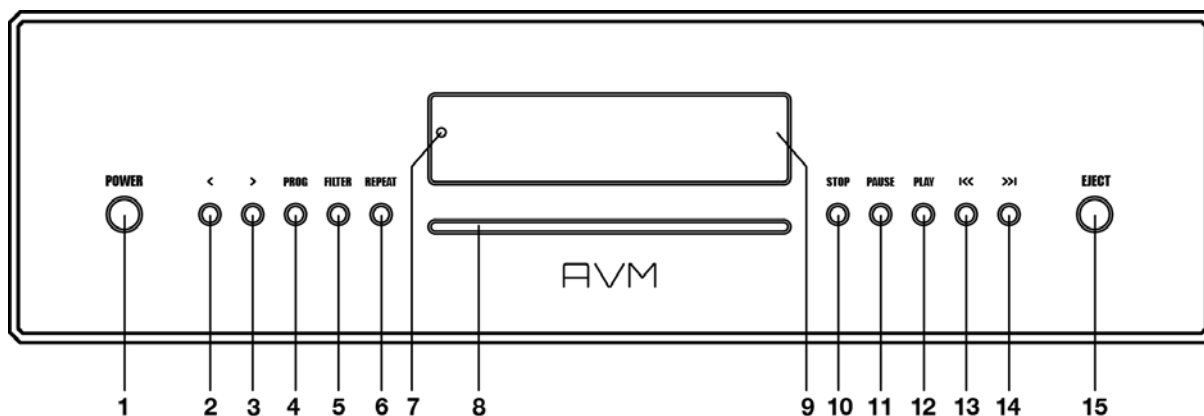
1.1 What's in the box?

- OVATION CD 6.2 / 8.2
- RC 3 remote control
- Power cord (in some countries)

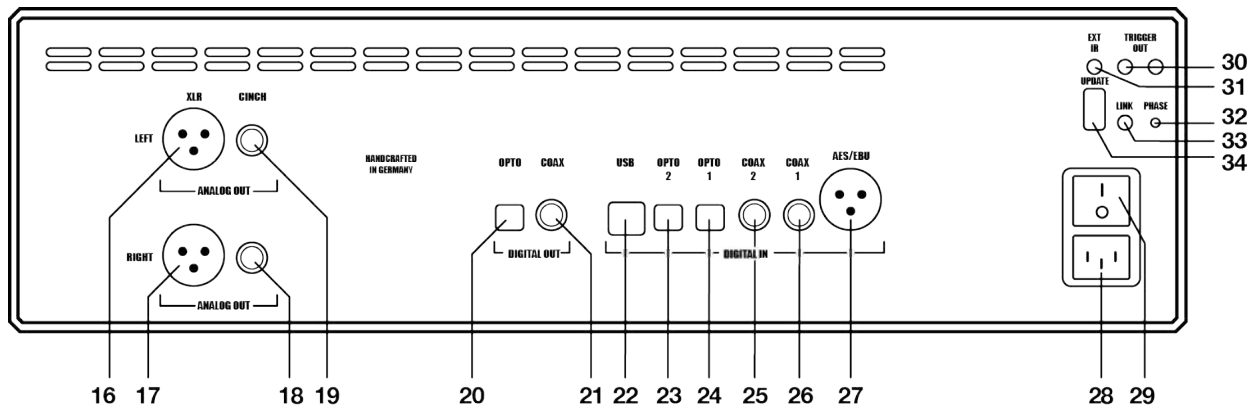
CAUTION: After unpacking, please check the scope of delivery to ensure that all parts have been supplied and are undamaged. In case the original packing has already been opened, please contact your local dealer. Often, your dealer prepares your new device prior to delivery to adapt and change the configuration to your personal needs.

1.2 Control and operating elements

The numbers in the drawings below mark the control elements. They refer to the numbers in the text, where the operation of the unit is described.



- | | |
|---|---------------------------------|
| 1 Power button (on / off) | 9 Display |
| 2 Option key < (Input, track programming) | 10 STOP button |
| 3 Option key > (Input, track programming) | 11 PAUSE button |
| 4 PROG button (track programming, RND) | 12 PLAY button |
| 5 FILTER button | 13 Skip / Search button back |
| 6 REPEAT button | 14 Skip / Search button forward |
| 7 Control LED | 15 EJECT button |
| 8 CD slot | |



- | | | | |
|----|-----------------------------------|----|------------------------------------|
| 16 | Analogue output left (XLR) | 26 | Digital input coaxial 1 |
| 17 | Analogue output right (XLR) | 27 | Digital input AES/EBU |
| 18 | Analogue output right (Cinch/RCA) | 28 | Mains connector |
| 19 | Analogue output left (Cinch/RCA) | 29 | Mains switch |
| 20 | Digital output optical | 30 | Trigger outputs |
| 21 | Digital output coaxial | 31 | Connector for external IR receiver |
| 22 | USB B digital input | 32 | Phase LED |
| 23 | Digital input optical 2 | 33 | Link |
| 24 | Digital input optical 1 | 34 | Configuration port (updates) |
| 25 | Digital input coaxial 2 | | |

1.3 Installation and cooling

The unit can become hot depending on demanded output power or environmental temperature. Therefore, it is important, that the cooling air can flow unhindered into the air inlet in the bottom and flow out through the holes in the rear panel. Direct exposure to sunlight is not recommended because this will heat up the unit and may cause unwanted malfunctions.

1.4 Connection to mains

Connect the unit to the mains outlet (28) by using the power cord which is (in some countries) delivered together with the unit. Make sure that mains voltage is according to the value printed on the rear panel of the amp (near mains connector).

CAUTION: Keep the unit switched off (29) until all audio connections are made.

1.5 Connection to a preamplifier or integrated amplifier

Connect the analogue outputs (16-19) to the high-level inputs of a preamplifier or integrated amplifier. The RCA-cinch outputs and the balanced XLR outputs are fully decoupled from each other and can be used independently.

1.6 Connection of digital signal sources

Digital signal sources

Connect the outputs of your digital sources to the corresponding inputs of your device:

- Optical inputs (23, 24)
- Coaxial inputs (25, 26)
- USB B input (22)
- AES/EBU input (27)

Digital input sources

The input of a digital recorder must be connected to the digital outputs (20, 21). The signal on the digital outputs depends on the selected source (e.g. **DIG COAX**, **DIG OPT**).

PLEASE NOTE: Incoming signals via the USB-B input (22) are not looped through the digital outputs (20).

1.7 RC 3 remote control

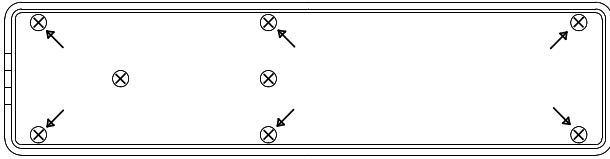
The included RC 3 remote control allows for easy and comprehensive control of your device. All main functions can be controlled by the RC 3: **On/Off**, **Source Selection**, **Station Selection**, **SKIP**, **PLAY/PAUSE**, and **STOP**.

By pressing the **PLAY** button briefly a second time, the **PAUSE** function is activated while in CD mode. By pressing the **STOP** button briefly a second time, an inserted CD is ejected. By holding down one of the **SKIP** buttons a little longer, the device switches into seek mode (**Fast Forward/Reverse**).

If there is no CD inserted or the CD is not in playback mode, you can switch between the different digital inputs by pressing the **STATION** buttons of the RC 3. Press **PLAY** to return to CD mode.

If a variable output level has been activated in the personal setup menu (see 3.1.1), you can control the output level of the analogue outputs of your CD 3.2 / CD 5.2 by pressing the **VOLUME** buttons on your RC 3 remote control (see also 2.6).

1.7.1 Battery change



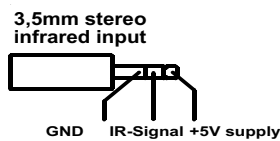
Bottom view RC 3 remote control

Unscrew the 6 marked screws (**CAUTION:** Do NOT unscrew the 2 unmarked screws in the middle). Take the bottom plate with the mounted pcb out. Remove the worn batteries and replace them with two new batteries (type CR2032, 3V Lithium cells). Make sure that polarity is correct (the "+" sign must be on top). Insert the bottom plate and screw it tight.

1.8 External IR remote control

Your device can be connected to an external IR receiver by using the IR jack (31). The plug is a 3,5mm stereo headphone plug.

Pin configuration of IR connectors (31)



2 Basic operation

2.1 First operation / self test

In case your device was not connected to mains a self test will be performed when it is switched on by the mains switch (29) for the first time. The unit will check its configuration and that all the installed components work properly. The procedure is shown in the display. Afterwards the unit will switch to stand by.

2.2 Switching on / stand by

Using the button power (1) you can switch between on (operate) and stand by. When switched on, the display (10) lights up and the LED (7) is off. In stand by mode the display is off and the LED is on to indicate that the unit is still connected to mains.

Tube warmup (CD 8.2)

Due to the warm-up phase of the integrated tube line stage, the power-on time of the CD 8.2 is extended by approx. 30 seconds.

CAUTION: When switched to stand by the unit is still connected to the mains. In case of a thunderstorm or if you leave the house for a longer time, we recommend you switch the amplifier off by using the mains switch (29) or pull the mains plug (28).

2.3 Display

When the unit is on, the display (9) shows information about the current settings and state of your CD Player. Apart from informations about the operating status (CD Player, Digital Input etc.) the lower line shows you currently active settings of the D/A converter: On the left-hand side the sample rate (e.g. "192") and bit depth is displayed. On the right-hand side, you will find the current filter setting (**SMOOTH** or **STEEP**).

2.3.1 Display in CD player mode

TRACK

On the left-hand side both the current title is displayed (big figures) and the total number of available tracks of the inserted CD (small figures).

TIME

At the centre of the display the total duration of an inserted CD is displayed, while stopped (**STOP**). As soon as the CD is played (**PLAY**) or paused (**PAUSE**), the time already elapsed of the current track is displayed.

STATUS

On the right-hand side the current operating status is displayed (**STOP, PLAY, PAUSE**).

PROG

In case of a currently active track programming both the currently playing track and the total number of programmed tracks is displayed on the left-hand side (for example "PROG 2/17").

RND

In case the random play mode is activated, the currently playing track and the total number of programmed tracks are displayed on the left-hand side (for example "RND 5/12").

2.3.2 Display in D/A converter mode

On the left-hand side the name of the currently selected input is displayed. If there is no incoming signal available at the currently selected input, **NO DIG SIGNAL** or **NO USB PLUGGED** is shown right next to the input name.

2.4 CD Player

2.4.1 Playable disc formats

Your CD Player can play back all compact discs which are recorded according to the red book standard (means the standards for audio CDs established by Philips and Sony). Furthermore, all CDRs and CDR/Ws with good reflection recorded according to this standard are playable. Most copy protected discs are also playable. But we cannot take responsibility that all future copy protection systems are playable.

2.4.2 Insert / eject

Insert a CD

Your CD Player is provided with a slot-in CD drive (8). Insert the CD (coverside up) and push slightly. The drive will now automatically draw the disc inside. After that the player reads the TOC (table of contents) and shows it on the display. Most left is the number of the actual track followed by the total number of tracks on the CD (for example "1/17"). The middle of the display shows the total playing time of the CD.

NOTE: If there is still a CD inside or the unit is in stand by, the slot will be blocked. If the inserted disc is not readable (DVD, data-CD) the display will show **NO AUDIODISC**.

Eject CD

Press the **EJECT** button (15). Then the disc will be ejected. If no CD is inserted, the display shows **NO DISC**.

AUTO PLAY

If CD is not selected as source the unit will automatically change to CD from any other input as soon as a CD is inserted. If **AUTO PLAY** is activated (see 0), the CD player will start playing automatically every time a CD is inserted. If **AUTO PLAY** is deactivated, the CD player will read the TOC (table of contents) of the inserted disc and then go to **STOP** mode.

2.4.3 CD playback

If a disc is inside playing is started by pressing the **PLAY** button (12). If you press **PAUSE** (11) the unit will go into the pause mode until **PLAY** (12) or **STOP** (10) is pressed.

The actual state (**PLAY**, **PAUSE**, **STOP**) is shown on the display (8). Furthermore, the display shows the actual playing time, the actual title number and the total number of titles.

2.4.4 SKIP / SEARCH

Using the **SKIP** buttons (13, 14) you can easily access any title on the disc. When you press one of the **SKIP** buttons for longer than a second while the unit is playing, it begins to play in fast forward or reverse mode (**SEARCH**).

While the player is stopped, the SKIP buttons (13, 14) can be used to select a title. A short tip switches to the next / previous title. Holding one of the buttons down scans automatically up / down. The number of the actual title is shown in the display (**TRACK**).

2.4.5 Repeat

Press the **REPEAT** button (6) once to repeat the actual title, twice to repeat the whole CD or the programmed sequence. A third pressing returns to the normal playing mode. The repeat state is displayed in the upper line of the display (**RP ONE / RP ALL**).

2.4.6 Programing an individual playlist

If a disc is inside the player you can program your individual playing sequence as follows.

Press the **PROG** button (4) to enter the playlist menu. Pressing **STOP** (10) exits the menu and the unit will return to normal mode. Pressing **PAUSE** (11) generates a random playlist.

Pressing **PLAY** (12) leads you to the programming menu:

The display shows on the left side the actual title (**TRCK**), below the playing time of this title (**TIME**). Pressing the **Option** keys (2,3) selects a title.

Pressing **PLAY** (12) adds the selected title to the playlist. The display shows on the right side the number of programmed titles (**PGM-QTY xx**). Below the playing time of the programmed list (**P-TIME xx**).

The button **PROG** (4) stores the playlist, if you want to exit without storing, press **STOP** (10).

2.4.7 Programming an individual playlist (example)

The CD inside the player contains 15 titles. You want to play only titles 7, 3 and 8.

- Press **PROG** (4) and the **PLAY** (12). The display now shows "PGM-QTY 00" and "TRCK 1/15".
- Select title 7 using the **Option** keys (2,3). The display shows "TRCK 7/15".
- Now add the selected track to the playlist by pressing **PLAY** (12).
- Select title 3 using the **Option** keys (2,3). The display shows "TRCK 3/15".
- Now add the selected track to the playlist by pressing **PLAY** (12).
- Select title 8 using the **Option** keys (2,3). The display shows "TRCK 8/15".
- Now add the selected track to the playlist by pressing **PLAY** (12).
- Press **PROG** (4) to finish the programming and store the playlist.

NOTE: The maximum number of programmed tracks is 99. The maximum program duration is 99 minutes.

Deleting an existing playlist

To delete an existing playlist, press **PROG** (4) and after that **STOP** (10).

2.4.8 Random

Press the **PROG** button (4) to enter the playlist menu and after that **PAUSE** (11). Now a random playlist will be generated. To delete a random playlist, press **PROG** (4) and after that **STOP** (10).

2.5 Selecting the signal

Besides the included CD drive, your device is equipped with a wealth of digital inputs (20-27) which can be selected with the option keys (2,3) on the front side of the unit, until the desired source appears on the display.

CAUTION: If you switch to another source while playing a CD, the drive will stop first. This may take a few seconds. If you activate a digital input that has no valid signal, **NO DIG SIGNAL** or **NO USB PLUGGED** is shown on the display.

2.6 Volume setting

If the option **Gain variable** is activated in the **Personal Setup** menu (see 3.1.1), the playback volume of your device can be controlled in steps of 0,5 dB by holding down one of the option keys on the front side of the unit (2, 3) for more than one second. The current volume level is shown in the range of 0 to 100 dB in the upper part of the display.

Selected volume values of up to 60 dB are automatically stored and will be restored as soon as the unit is switched on again with the power button on the front side of the unit (1). If a volume value of more than 60 dB has been selected, the unit automatically reduces the value to 60 dB as soon as it is switched on again with the power button on the front side of the unit. This protective mechanism is supposed to prevent sudden and drastic increases in volume caused by accidentally moving the volume slider of the [RC S App for iOS and Android](#) all the way up the maximum.

2.7 Samplerate and filter setting

By pressing the **FILTER** button (5) once or several times, you can choose between available sample rates and filter settings for a specified source (CD or digital input). The currently selected sample rate is displayed at the bottom left corner (44.1, 48, 88.2, 96, 176.4, 192, 352, 384 kHz). **NAT (NATIVE)** indicates that the incoming sample rate of the signal is being directly processed. **CONV (CONVERSION)** however indicates an ongoing upsampling process of the incoming signal to a desired sample rate.

Please note that only the settings **NAT / STEEP** or **NAT / SMOOTH** are available if **USB** is selected.

The digital filter settings **SMOOTH** and **STEEP** can be set according to your personal preference. Technically speaking, the setting **SHARP** indicates a steep filter characteristic at the upper end of the frequency band, leading both to a flat amplitude frequency response and a rather strong phase rotation. **SMOOTH** however leads to a less steep filter characteristic by showing a slightly earlier attenuation of the amplitude frequency response with almost no phase rotation.

Please note that a chosen filter setting is only true for a selected input and is being recalled every time you select the respective input again, even after the device has completely been switched off.

2.8 USB B digital input

If a digital signal from a computer (PC or Mac) is connected to the USB B digital input of your CD Player (22), you can choose between two different modes (**LO RES** or **HI RES**) by pressing the **PROG** button (4).

LO RES can be used to play back a digital input signal with a sample rate of up to 96kHz without the need for an additional audio driver on your Windows PC or Mac.

HI RES can be used to play back a digital input signal with a sample rate of up to 384kHz/24 Bit (PCM) without the need to install an audio driver on your Mac. If you are using a Windows PC you will need to install an additional driver which is available for download on the respective product page at www.avm.audio.

Below the **LO RES** and **HI RES** indication, the currently active data format is shown on the display (**PCM** or **DSD**).

Please note that you need to select the **HI RES** mode in order to play back DSD64 or DSD128 files.

3 Advanced Settings

3.1 Personal Setup

The personal setup offers a range of settings to individualize your device according to your personal needs. To enter the **personal setup** menu, please switch off your device on the rear of the unit at the mains switch (29). Keep the **PROG** button pressed (4) while you switch on the unit again (29). As soon as the display shows the **personal setup** menu you can release the **PROG** button (4).

When the personal setup is active, you can select the desired function using the option keys (2, 3). Use the **SKIP** buttons (13, 14) to apply changes to a selected function. **EXIT (STOP** button) exits the personal setup and stores all settings.

3.1.1 Set volume control

Gain fix

If the **gain fix** option is activated, the signal of the selected sound source will be played back with a fixed volume level. This setting is particularly useful when your device is part of a surround sound setup where a separate surround decoder is used for bass and multi-channel management. If a surround system is connected to your device, specific settings such as channel balance, tone settings and bass management are controlled by a separate decoder. These settings may not be altered by other components in order to maintain the balance of all channels. For this application, your device offers the **gain fix** function by passing through the signal with a fixed gain setting (see below).

Gain variable

If the option **Gain variable** is activated, the playback volume can be controlled in steps of 0,5 dB by holding down one of the option keys on the front side of the unit (2, 3) for more than one second. The current volume level is shown in the range of 0 to 100 dB in the upper part of the display (see also section 2.6).

3.1.2 Set display brightness

Sets display brightness 25% to 100%.

NOTE: The setting 100% can lead to "burn in" effects on the display if the unit is operated in this setting for a very long time. In order to avoid such "burn in effects" please switch the unit to stand by, if not in use.

3.1.3 Set autoplay

When **AUTO PLAY** is activated, the CD player will start playing automatically every time a CD is inserted. IF **AUTO PLAY** is deactivated, the player will read the TOC (table of contents) of the inserted disc and then go to **STOP** mode.

3.1.4 Skip unused inputs

Unused inputs can be deactivated (**SKIPPED**). Your device will then skip these inputs when the source selectors (2, 3) are applied or if you select a sound source via the RC 3 remote control.

3.1.5 Define input names

You can individually set the names (max. 8 characters) of the different sources shown in the display. To adjust a name, proceed as follows:

Press one of the option keys (2, 3) to select an input. Press **REPEAT** (6) to select the position and use the **SKIP** buttons (13, 14) to define the character (holding the key pressed changes the character every half second).

3.2 Reset (factory default settings)

The **Reset** menu cancels certain or all settings and makes the unit return to default settings.

To enter the **Reset** menu, please switch off your device on the rear of the unit at the mains switch (29). Keep both the **REPEAT** button (6) and the **STOP** button (10) pressed while you switch on the unit again (29). As soon as the display shows the reset menu you can release both buttons (6, 10).

Select if you just want to clear the input names (**NAMES**) with the **PAUSE** button (11) or reset the unit completely (**ALL**) by pressing the **PLAY** button (12).

Pressing the **STOP** button (10) will bring the unit back to normal operating mode without resetting any item (**CANCEL**).

4 Appendix

4.1 Cleaning

Use a soft cloth and normal glass cleansing fluid. **CAUTION:** Make sure that no fluid comes into the unit. Do not use scouring cleaners. They may damage the surface.

4.2 Troubleshooting

Some putative defects are often caused by mistakes in operation. Sometimes other units connected to the amplifier can cause problems. We therefore kindly ask you to read the following tips before consulting your dealer or us.

1. No playback

- a) Mute function is active, press button MUTE on your remote control or increase the volume using the rotary encoder (11).
- b) Inadvertent switching to stand by. Press power button (1). If the LED indicator and display do not light up a fuse can be blown due to overvoltage (e.g. in case of a thunderstorm etc.). Please contact your dealer.

2. Unit switches off during normal operation

This can happen if the temperature inside the unit becomes too high. In this case, the CD player switches off and the display shows 'overheat'. Switch the unit off and let it cool down for five minutes.

3. Remote control doesn't work

- a) Change the battery of your remote control (see 0).
- b) Point with the remote control transmitter directly to the unit.

5. The display shows „no disc“, although a CD is inserted

- a) Please make sure the CD is not a data disc, has not been damaged and is inserted with the correct side facing up
- b) Please clean your CD with a soft cleaning cloth.

4.3 Conditions of warranty (EC only)

If despite expectations a defect occurs that cannot be repaired by yourself or your dealer, we undertake the repair of your unit free of charge for up to three years from date of purchase. The warranty covers the costs of material and working time, transport costs are to be borne by the owner.

Provisions for this warranty are:

- The unit must have been purchased from an authorised dealer. Equipment from other sources will not be repaired, not even at charge.
- The warranty registration card, together with a copy of the bill of sale, must be received by us within four weeks of the date of purchase.
- The defect must not have been caused by improper handling or misuse.
- Return the unit to us only in its original packing. If this is not possible we are entitled to refuse acceptance. We will not assume responsibility for transport damage under any circumstances.
- A short description of the defect is to be included with the returned unit.
- In cases of doubt we reserve the right to request a copy of the bill of sale.
- We also reserve the right to levy a handling charge for items returned without good or valid reason, or if the unit proves to be not defective.

NOTE: If you are returning the unit from a country other than Germany you should ensure that correct export documents are obtained. We cannot accept any charges for costs arising from improper or incomplete export documentation.

If you have purchased your unit from a dealer outside Germany please refer to him or the relevant importing firm to process the warranty.

4.4 Technical Data

4.4.1 Digital input

Samplerate	upsampling /downsampling switchable up to 384 kHz / 32 Bit
Frequency response	<20 Hz – 80 kHz
Deemphasis	yes, automatic
Input format DIG IN opt/coax	SPDIF, 33 kHz – 96 / 192 kHz / 16 – 24 Bit
USB input	Asynchronous, galvanically isolated
PCM (without driver)	up to 96 kHz / 24 Bit
PCM (without driver)	up to 384 kHz / 32 Bit
DSD (with driver)	DSD64 (2, 8 MHz) and DSD128 (5,6 MHz)

4.4.2 CD-Player

CD formats	CD Audio, CDR (according to Red-Book-Standard)
Frequency response CD	<20 Hz – 20 kHz

4.4.3 Analogue out

Output voltage	2,5 V
Frequency response	0Hz - >80 kHz
Crosstalk attenuation	>120 dB
Signal-to-noise ratio	>110 dB
THD	<0,001%

4.4.4 Other

Supply voltage	100 - 240 VAC, 50/60 Hz, typ. 15 W Enhanced stand-by mode <5 W
Dimensions (W x H x D)	430 mm x 130 mm x 370 mm
Weight	11 kg (depending on configuration)

Changes reserved without notice. June 26 2017.